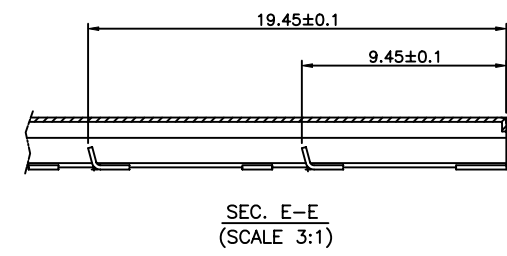
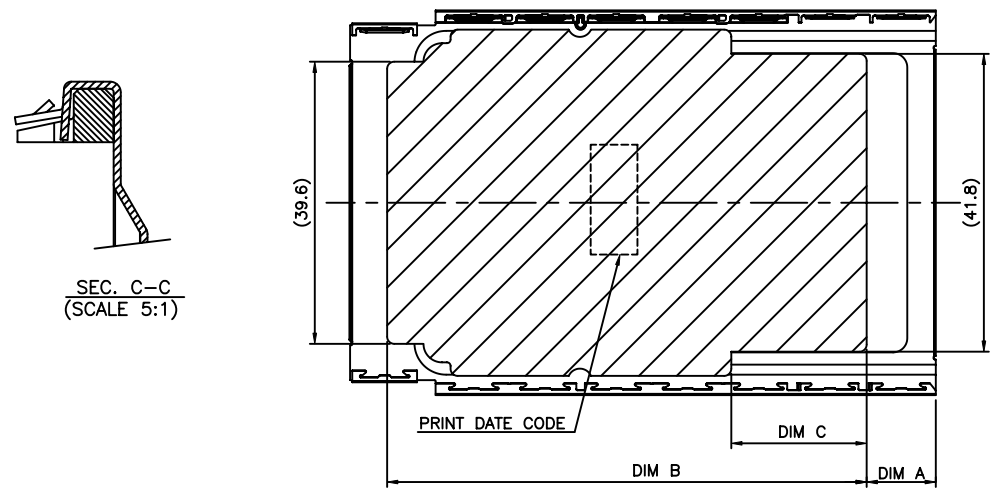
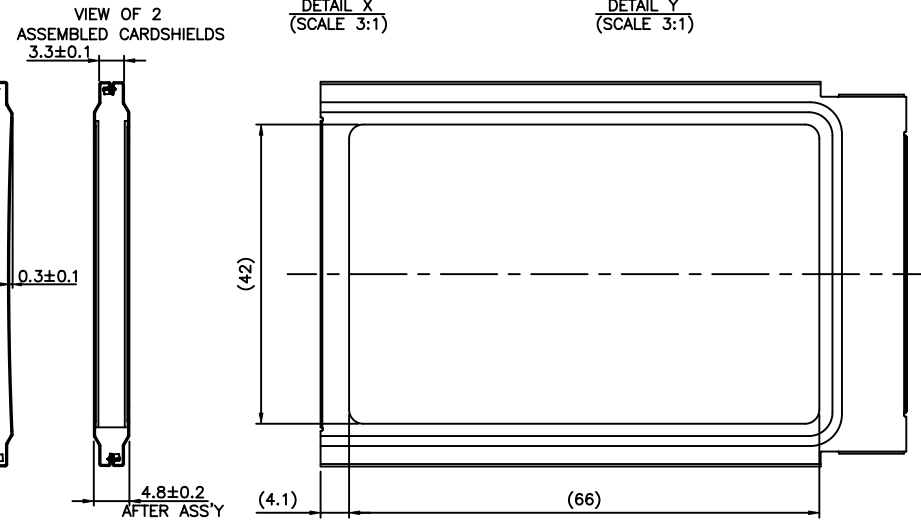
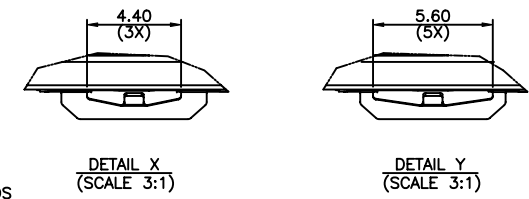
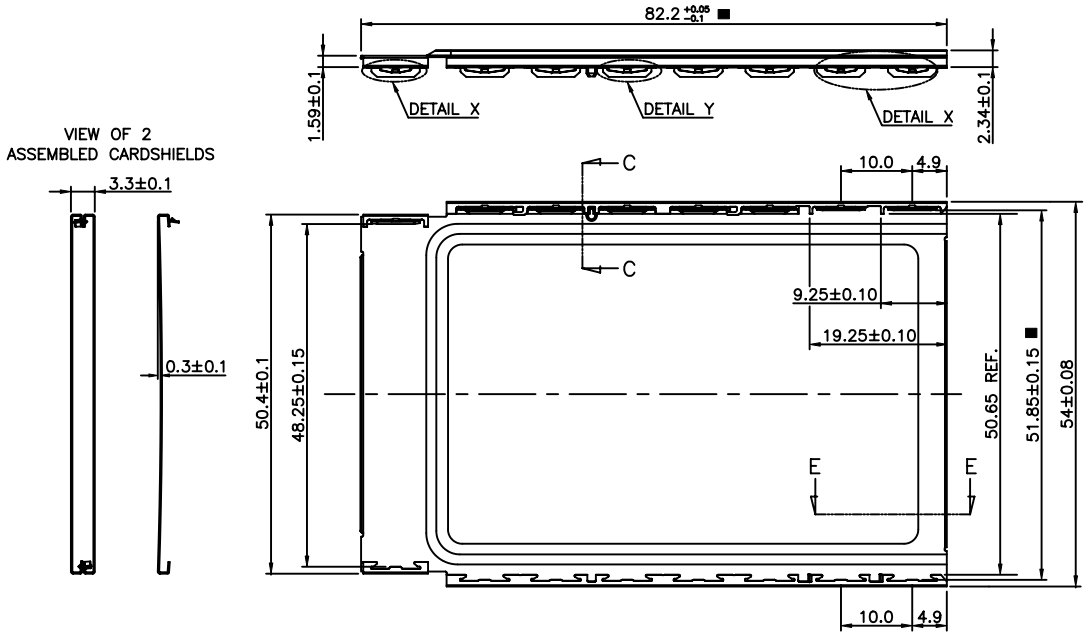


Tous droits strictement réservés. Reproduction ou communication a des tiers int sous quelque forme que ce soit sans autorisation écrite du propriétaire. Propriété de c BERG ELECTRONICS. Droits de reproduction BERG ELECTRONICS by

All rights strictly reserved. Reproduction or issue to third parties in any for whatever is not permitted without written authority from the proprietor. Property of c BERG ELECTRONICS. Copyright BERG ELECTRONICS by

PRODUCT NUMBER	DIM A	DIM B	DIM C
57924-001	9.7±1.0	67.3 REF	19.0 REF
57924-002	1.4±1.0	75.6 REF	27.3 REF



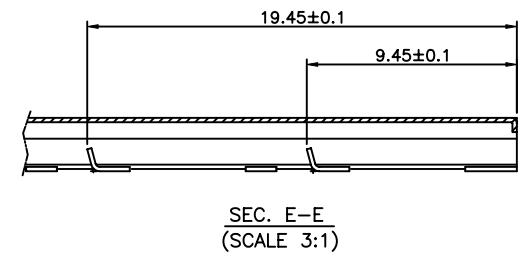
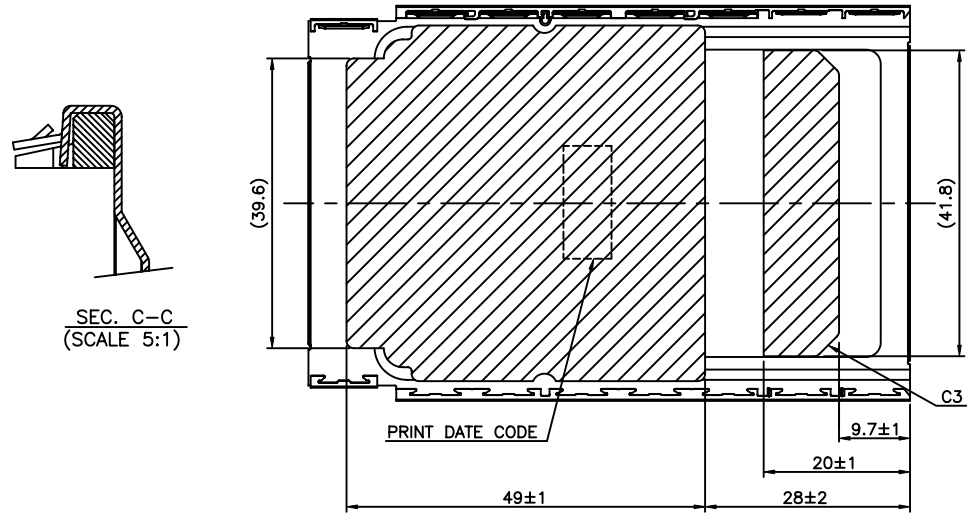
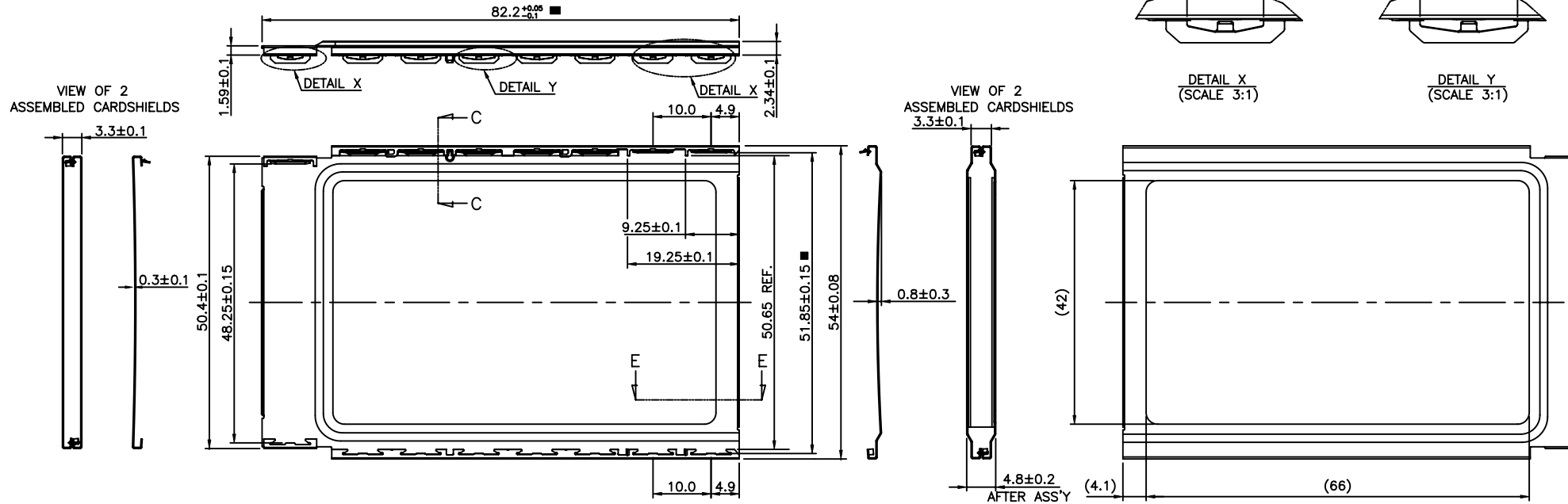
NOTE: 1. ■ : CPK MARK >= 1.5

mat'l code				tolerance unless otherwise specified				CUSTOMER COPY		 www.fciconnect.com		
rev.	ecn no.	dr	date	linear	X. ±0.3		projection	title		ROCARD SHIELD		
A	T20200	WL	06/26/02		.X ±0.13			product family		PCMCA		code
B	T20226	WL	08/13/02		.XX ±0.05			size		dwg no.		sheet
C	T03-0052	WL	02/11/03	angles	±2°			unit		mm/inch		
D	T04-0106	WL	03/08/04		dr WENDY CHEN 08/01/01			scale		A3		57924
					enr YUWEN CHU 08/01/01							1 OF 4
				chr YUWEN CHU 08/01/01								
				appd JENN TSAO 08/01/01								
sheet	revision	D	D	C	C							
index	sheet	1	2	3	4							

Tous droits strictement réservés. Reproduction ou communication à des tiers int
 sous quelque forme que ce soit sans autorisation écrite du propriétaire.
 Property of c BERG ELECTRONICS.
 Droits de reproduction BERG ELECTRONICS by

All rights strictly reserved. Reproduction or issue to third parties in any for
 whatever is not permitted without written authority from the proprietor.
 Property of c BERG ELECTRONICS.
 Copyright BERG ELECTRONICS by

PRODUCT NUMBER
 57924-001A



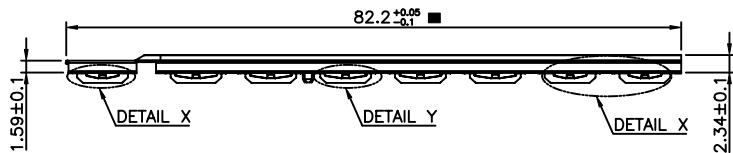
NOTE: 1. ■ : CPK MARK >= 1.5

mat'l code				tolerance unless otherwise specified				CUSTOMER COPY		 www.fciconnect.com		
rev.	ecn no.	dr	date	linear	X. ±0.3	projection		title		ROCARD SHIELD		
D					.X ±0.13			product family		PCMCA		code
					.XX ±0.05			size		dwg no.		sheet
				angles	±2°	unit		mm/inch		2 OF		
				dr	WENDY CHEN 02/20/02	scale		A3		57924		
				enr	YUWEN CHU 02/20/02							
				chr	YUWEN CHU 02/20/02							
				appd	JENN TSAO 02/20/02							
sheet index	revision	sheet										

Tous droits strictement réservés. Reproduction ou communication a des tiers int sous quelque forme que ce soit sans autorisation écrite du propriétaire. Property of c BERG ELECTRONICS. Droits de reproduction BERG ELECTRONICS by

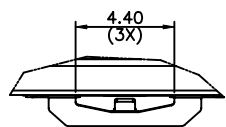
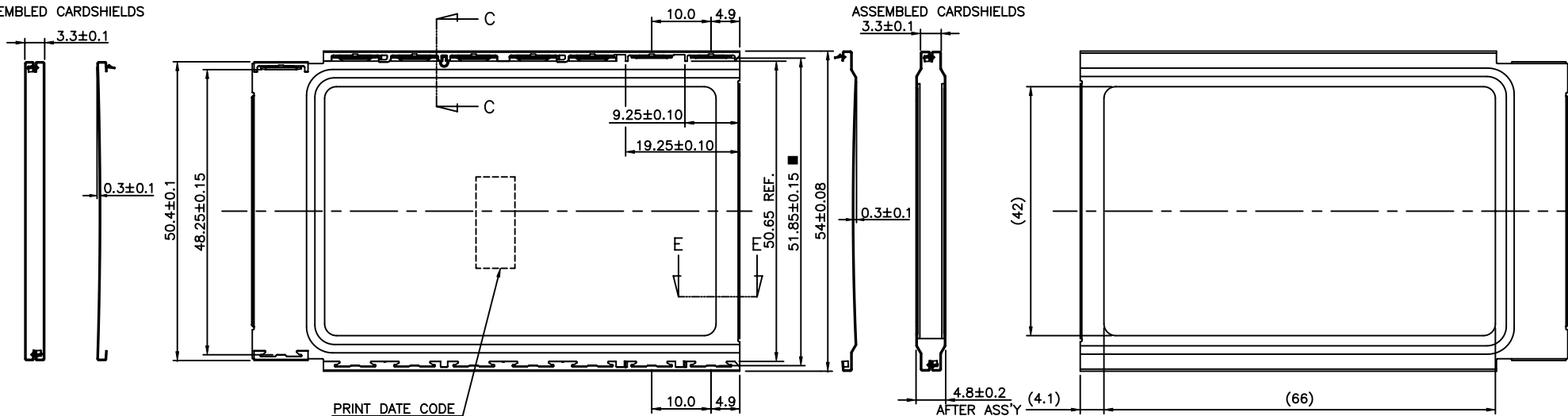
All rights strictly reserved. Reproduction or issue to third parties in any for whatever is not permitted without written authority from the proprietor. Copyright BERG ELECTRONICS by

PRODUCT NUMBER
57924-003

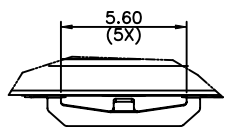


VIEW OF 2
ASSEMBLED CARDSHIELDS

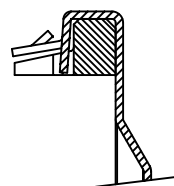
VIEW OF 2
ASSEMBLED CARDSHIELDS



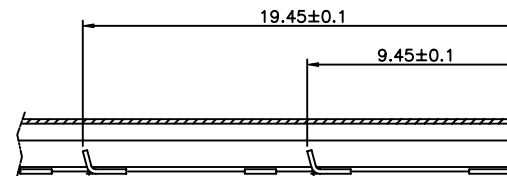
DETAIL X
(SCALE 3:1)



DETAIL Y
(SCALE 3:1)



SEC. C-C
(SCALE 5:1)



SEC. E-E
(SCALE 3:1)

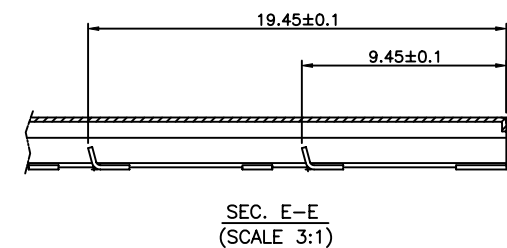
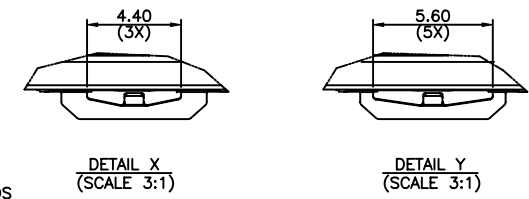
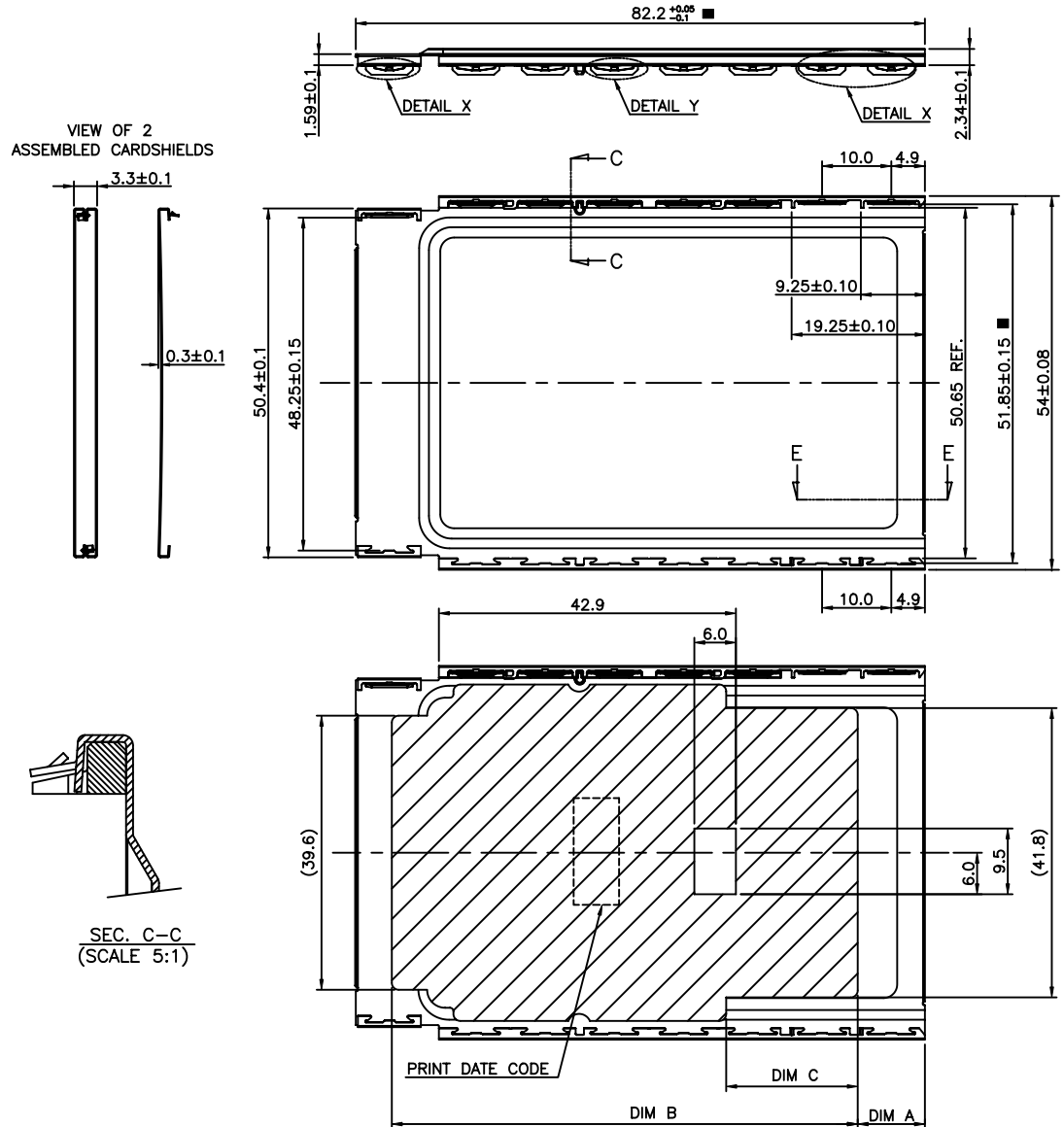
NOTE: 1. ■ : CPK MARK ≥ 1.5

mat'l code				tolerance unless otherwise specified				CUSTOMER COPY		 www.fciconnect.com	
rev.	ecn no.	dr	date	linear	X. ±0.3		projection	title			
C					.X ±0.13			ROCARD SHIELD			
					.XX±0.05			product family PCMCIA			
				angles	±2°				code		
		dr	WENDY CHEN	05/20/02	unit		size		dwg no.		
		enr	SUNNY LIN	05/20/02	mm/inch		A3		57924		
		chr	SUNNY LIN	05/20/02	scale				sheet		
		appd	JENN TSAO	05/20/02					3 OF		
sheet index	revision sheet										

PRODUCT NUMBER	DIM A	DIM B	DIM C
57924-004	9.7±1.0	67.3 REF	19.0 REF

Tous droits strictement réservés. Reproduction ou communication a des tiers int sous quelque forme que ce soit sans autorisation écrite du propriétaire. Propriété de c BERG ELECTRONICS. Droits de reproduction BERG ELECTRONICS by

All rights strictly reserved. Reproduction or issue to third parties in any for whatever is not permitted without written authority from the proprietor. Property of c BERG ELECTRONICS. Copyright BERG ELECTRONICS by



NOTE: 1. ■ : CPK MARK ≥ 1.5

mat'l code		tolerance unless otherwise specified		CUSTOMER COPY		 www.fciconnect.com		
rev.	ecn no.	dr	date	linear	X. ±0.3	projection	title	
C					.X ±0.13		ROCARD SHIELD	
				angles	.XX±0.05		product family	code
				dr	±2°	mm/inch	PCMCIA	
				enr		scale	size	dwg no.
				chr	WENDY CHEN 01/16/03	A3	57924	sheet
				appd	DAVID TENG 01/16/03			4 OF
					TONY CHIEN 01/16/03			
					JENN TSAO 01/16/03			
sheet	revision							
index	sheet							